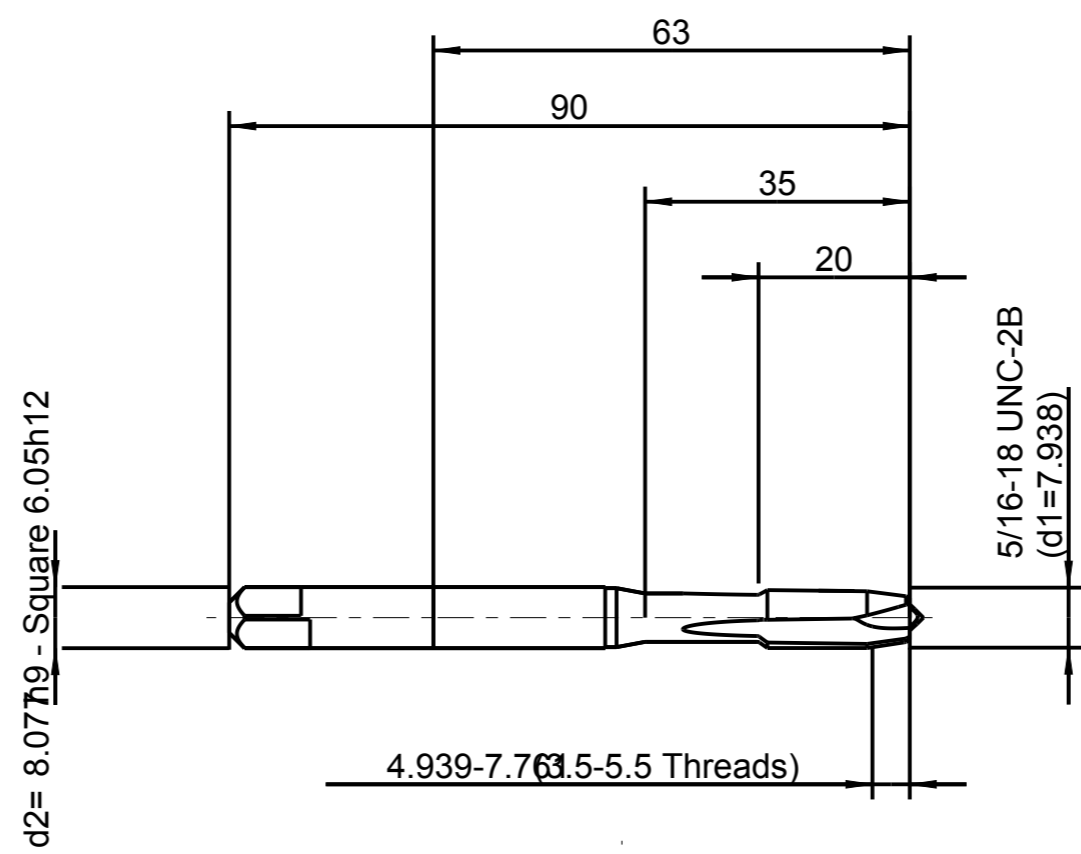


Weder die noch Herstellung dieses Dokuments, Vervielfachung und Mitteilung seines Inhaltes, sind
 verboten, soweit nicht ausdrücklich gestattet. Zuwiderhandlungen verpflichten zu Schadenersatz. Alle
 Rechte für den Fall der Patent-, Gebrauchsmuster- oder Geschmacksunterzeichnung vorbehalten.
 "Schutzvermerk nach DIN ISO 16016 beachten" Technische Änderungen vorbehalten!

Issued with CAD! Changes to be made only on the CAD/CAM modell



The reproduction, distribution and utilization of this document as well as the
 communication of its contents to others without explicit authorization is
 prohibited. All rights reserved in the event of the grant of a patent, utility model or design.
 "Observe protective mark according to DIN ISO 16016" Technical data is subject to change without notice!



1:1

Identification

EMUGE-VA Rekord 1 B-VA-GLT-1 5/16-18 UNC-2B
 Kom.-Nr.

 EMUGE-Werk Richard Glimpel GmbH & Co. KG www.emuge-franken.com		Document Type		Documentary drawing																			
		Description				US-Rek.1B-VA-GLT-1 5/16-18 UNC-2B																	
General tolerances ISO 2768-mk		Sheet	View	Customer																			
<table border="1"> <tr> <td>></td> <td>6</td> <td>30</td> <td>120</td> <td>400</td> <td>1000</td> </tr> <tr> <td>≤</td> <td>6</td> <td>30</td> <td>120</td> <td>400</td> <td>2000</td> </tr> <tr> <td></td> <td>±0,1</td> <td>±0,2</td> <td>±0,3</td> <td>±0,5</td> <td>±0,8 ±1,2</td> </tr> </table>		>	6	30	120	400	1000	≤	6	30	120	400	2000		±0,1	±0,2	±0,3	±0,5	±0,8 ±1,2	1/1		Component	
>	6	30	120	400	1000																		
≤	6	30	120	400	2000																		
	±0,1	±0,2	±0,3	±0,5	±0,8 ±1,2																		
Issued by		Date of issue	Replaced by	Material no.																			
CAD/TF		18.05.2018		Order no. BU20C300.5010																			
Checked by		Date	Replacement for	Customer drawing no.																			
				Drawing no. BU20C300.5010																			

A3