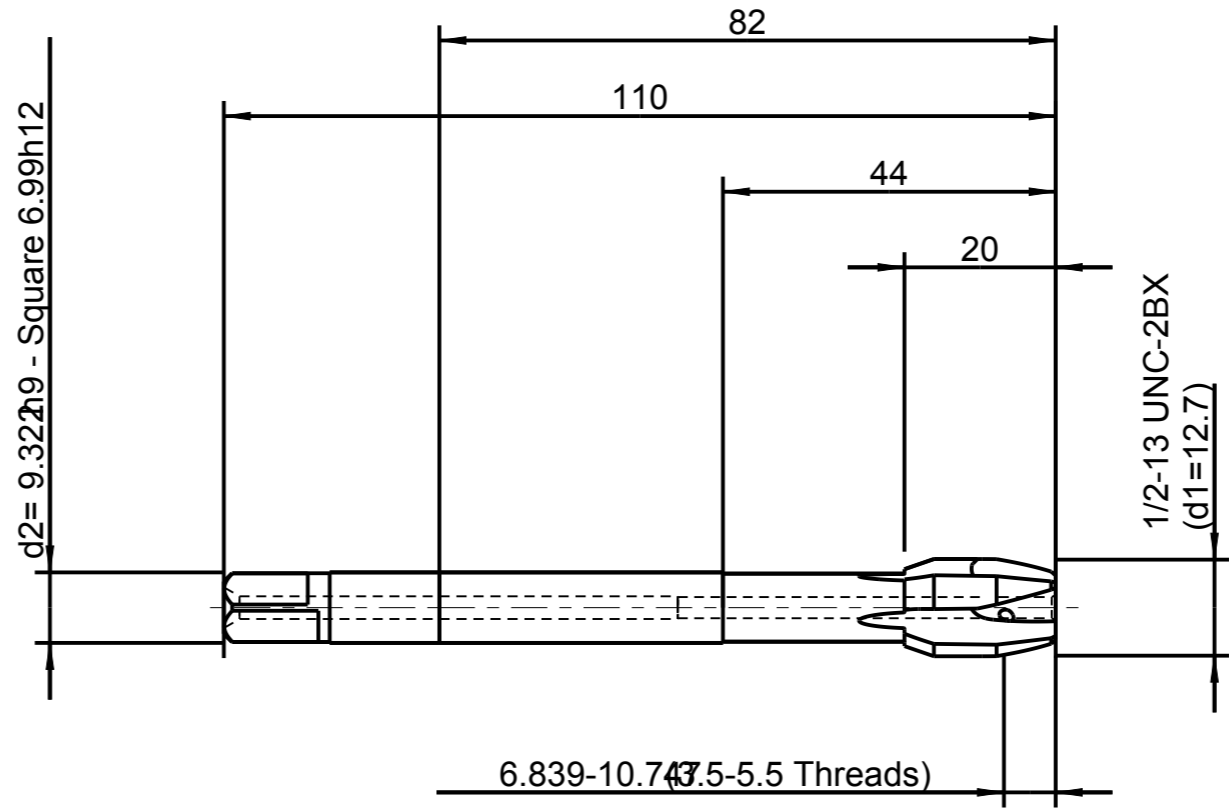


Weder die Herstellung dieses Dokuments, Vervielfältigung und Mitteilung seines Inhalts, noch  
 Verändern, soweit nicht ausdrücklich gestattet, Zuwahlungen verpflichtet zu Strafenersatz. Alle  
 Rechte für den Fall der Patent-, Gebrauchsmuster- oder Geschmacksurteilverletzung vorbehalten.  
 "Schutzvermerk nach DIN ISO 16016 beachten" Technische Änderungen vorbehalten!

Issued with CAD! Changes to be made only on the CAD/CAM modell

The reproduction, distribution and utilization of this document as well as the  
 communication of its contents to others without explicit authorization is  
 prohibited. All rights reserved in the event of the grant of a patent, utility model or design.  
 "Observe protective mark according to DIN ISO 16016" Technical data is subject to change without notice!





6.839-10.743 (3.5-5.5 Threads)

1:1

Identification

EMUGE-Z Rekord 2B-Z-~~IKZN~~-TIN-70 1/2-13 UNC-2BX  
 PM Kom.-Nr.

 EMUGE-Werk Richard Glimpel GmbH & Co. KG www.emuge-franken.com		Document Type		Documentary drawing																									
		Description				US-Rek.2B-Z- <del>IKZN</del> -PM-TIN-70 1/2-13 UNC-2BX																							
General tolerances ISO 2768-mk		Sheet	View	Customer																									
<table border="1"> <tr> <td>&gt;</td> <td>6</td> <td>30</td> <td>120</td> <td>400</td> <td>1000</td> </tr> <tr> <td>≤</td> <td>6</td> <td>30</td> <td>120</td> <td>400</td> <td>1000</td> </tr> <tr> <td></td> <td>±0,1</td> <td>±0,2</td> <td>±0,3</td> <td>±0,5</td> <td>±0,8</td> </tr> <tr> <td></td> <td></td> <td></td> <td></td> <td>±1,2</td> <td></td> </tr> </table>		>	6	30	120	400	1000	≤	6	30	120	400	1000		±0,1	±0,2	±0,3	±0,5	±0,8					±1,2		1/1		Component	
>	6	30	120	400	1000																								
≤	6	30	120	400	1000																								
	±0,1	±0,2	±0,3	±0,5	±0,8																								
				±1,2																									
Issued by		Date of issue	Replaced by	Material no.																									
CAD/TF		18.05.2018		Order no. CU088F01.5013																									
Checked by		Date	Replacement for	Customer drawing no.																									
				Drawing no. CU088F01.5013																									

A3