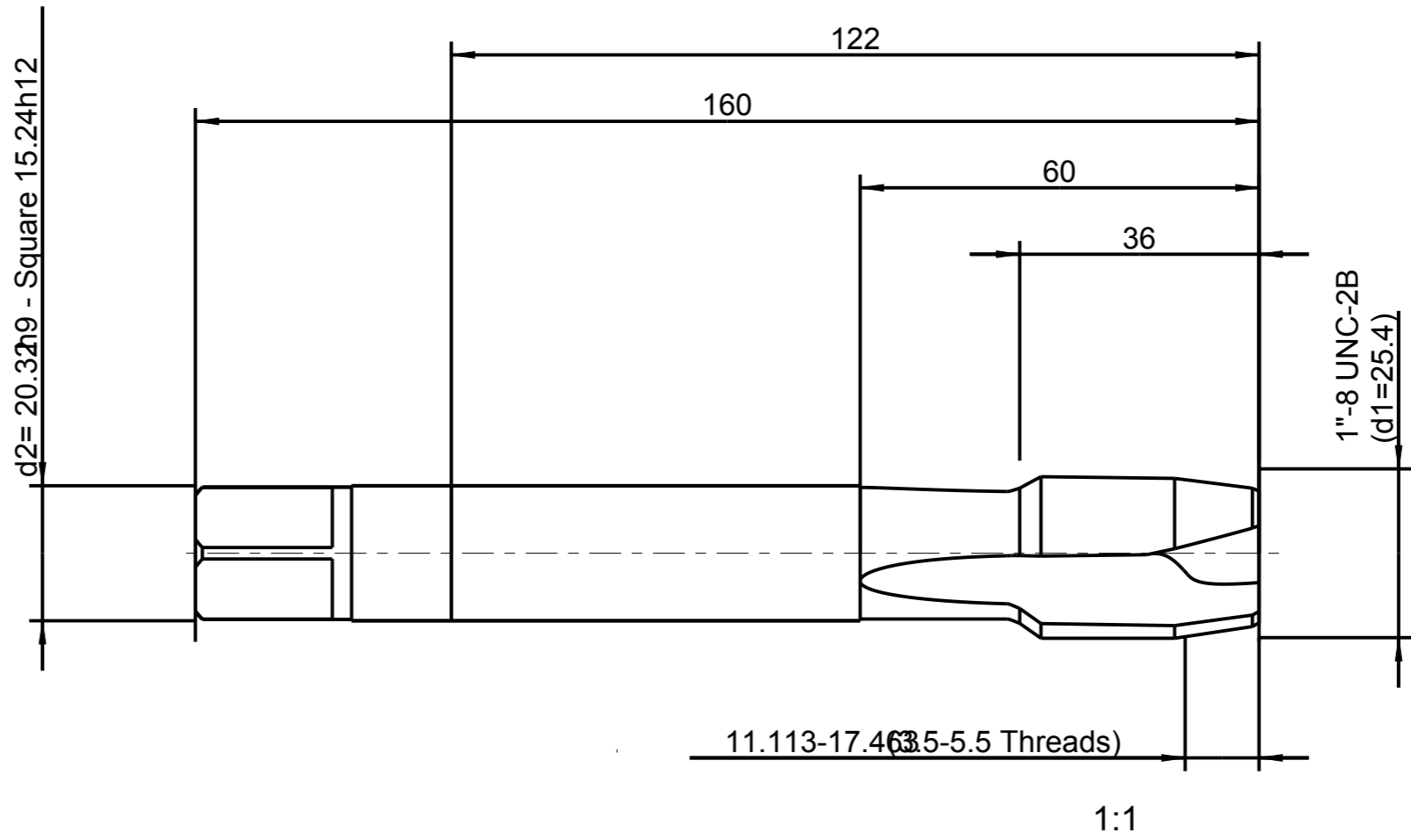



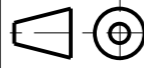
Weder die noch Herstellung dieses Dokuments, Vervielfältigung und Mitteilung seines Inhaltes, sind
 verboten, soweit nicht ausdrücklich gestattet. Zuwiderhandlungen verpflichten zu Schadenersatz. Alle
 Rechte für den Fall der Patent-, Gebrauchsmuster- oder Geschmacksunterzeichnung vorbehalten.
 "Schutzvermerk nach DIN ISO 16016 beachten" Technische Änderungen vorbehalten!

Issued with CAD! Changes to be made only on the CAD/CAM modell

The reproduction, distribution and utilization of this document as well as the
 communication of its contents to others without explicit authorization is
 prohibited. All rights reserved in the event of the grant of a patent, utility model or design.
 "Observe protective note according to DIN ISO 16016" Technical data is subject to change without notice!



Identification
 EMUGE-VA Rekord 2B-VA-GLT-1 1"-8 UNC-2B
 Kom.-Nr.

 EMUGE-Werk Richard Glimpel GmbH & Co. KG www.emuge-franken.com		Document Type		Documentary drawing	
		Description		US-Rek.2B-VA-GLT-1 1"-8 UNC-2B	
General tolerances ISO 2768-mk		Sheet	View	Customer	Component
>	6 30 120 400 1000	1/1			
≤	±0,1 ±0,2 ±0,3 ±0,5 ±0,8 ±1,2	Scale	1:1		
Issued by	Date of issue	Replaced by	Material no.	Order no.	
CAD/TF	18.05.2018			CU20C300.5018	
Checked by	Date	Replacement for	Customer drawing no.	Drawing no.	
				CU20C300.5018	

A3