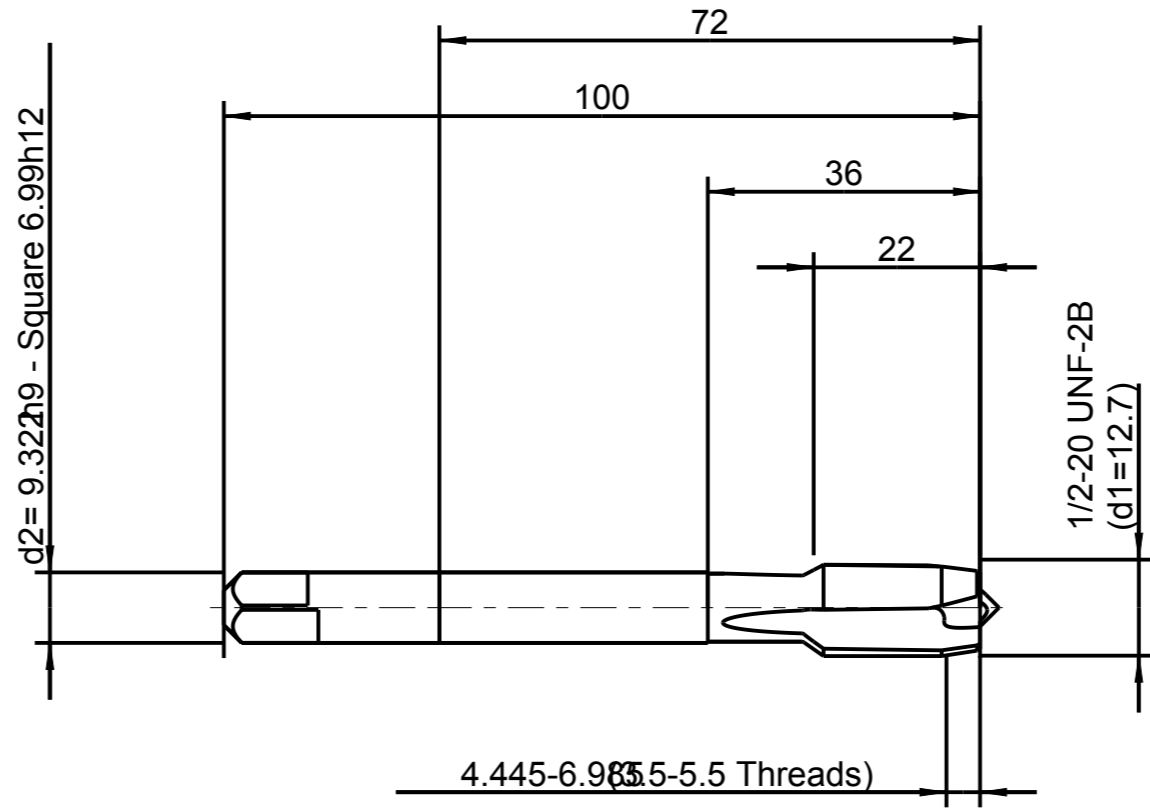


Weder die Herstellung dieses Dokuments, Vervielfältigung und Mitteilung seines Inhaltes, noch die Weitergabe der darin enthaltenen Informationen, ist ohne schriftliche Genehmigung der EMUGE-FRANKEN GmbH & Co. KG zulässig. Alle Rechte für den Fall der Patent-, Gebrauchsmuster- oder Geschmackszeichenregistrierung vorbehalten. "Schutzvermerk nach DIN ISO 15016 beachten" Technische Änderungen vorbehalten!

Issued with CAD! Changes to be made only on the CAD/CAM modell



The reproduction, distribution and utilization of this document as well as the communication of its contents to others without explicit authorization is prohibited. All rights reserved in the event of the grant of a patent, utility model or design. "Observe protective mark according to DIN ISO 15016" Technical data is subject to change without notice!



1:1

Identification

EMUGE-VA Rekord 2B-VA-GLT-1 1/2-20 UNF-2B  
Kom.-Nr.

 EMUGE-Werk Richard Glimpel GmbH & Co. KG www.emuge-franken.com		Document Type		Documentary drawing																			
		Description				US-Rek.2B-VA-GLT-1 1/2-20 UNF-2B																	
General tolerances ISO 2768-mk		Sheet	View	Customer																			
<table border="1"> <tr> <td>&gt;</td> <td>6</td> <td>30</td> <td>120</td> <td>400</td> <td>1000</td> </tr> <tr> <td>≤</td> <td>6</td> <td>30</td> <td>120</td> <td>400</td> <td>2000</td> </tr> <tr> <td></td> <td>±0,1</td> <td>±0,2</td> <td>±0,3</td> <td>±0,5</td> <td>±0,8 ±1,2</td> </tr> </table>		>	6	30	120	400	1000	≤	6	30	120	400	2000		±0,1	±0,2	±0,3	±0,5	±0,8 ±1,2	1/1		Component	
>	6	30	120	400	1000																		
≤	6	30	120	400	2000																		
	±0,1	±0,2	±0,3	±0,5	±0,8 ±1,2																		
Issued by		Date of issue	Replaced by	Material no.																			
CAD/TF		18.05.2018		Order no. CU20C300.5047																			
Checked by		Date	Replacement for	Customer drawing no.																			
				Drawing no. CU20C300.5047																			

A3