

SH. 1
OF 1

CAT NO

657AA

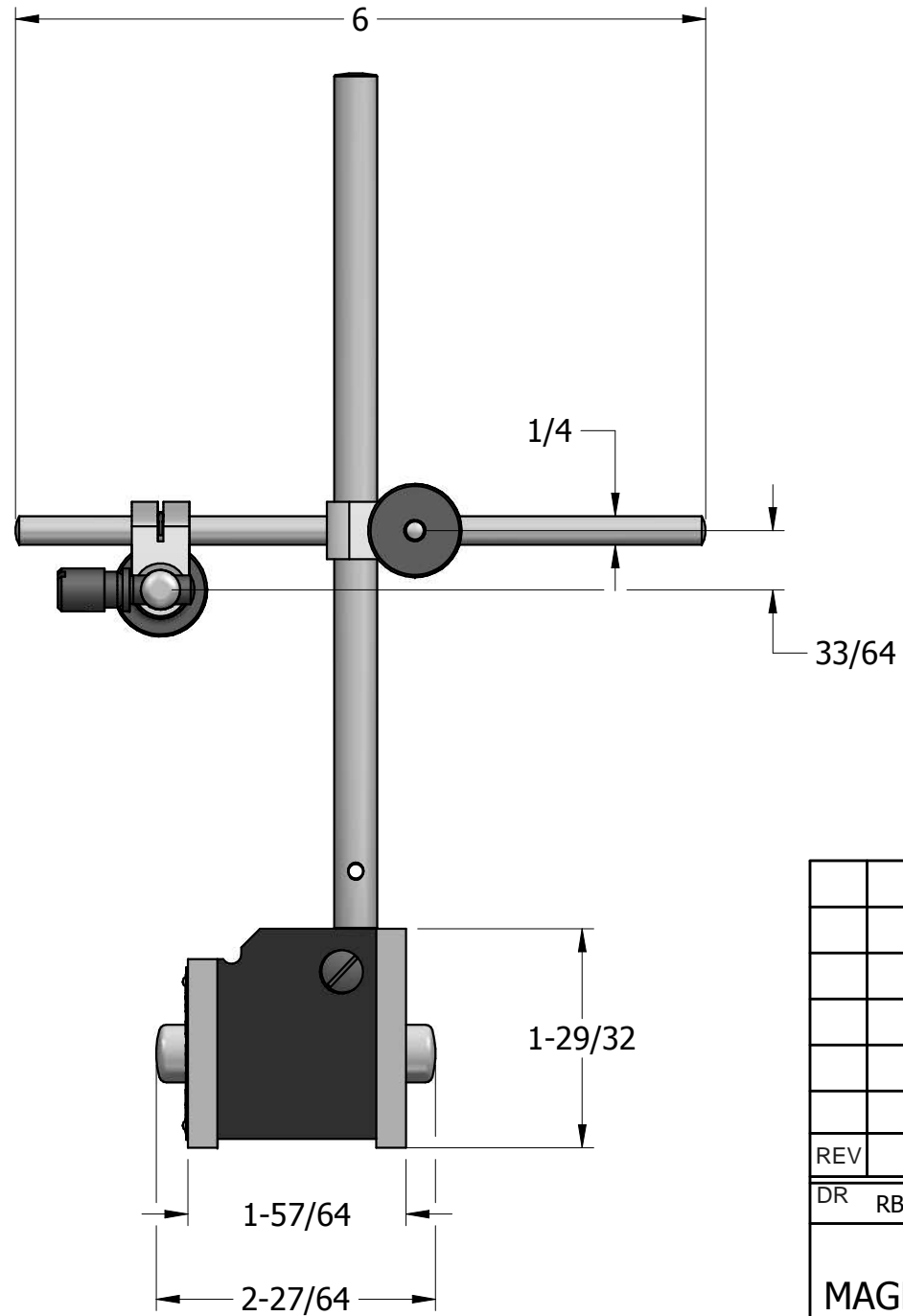
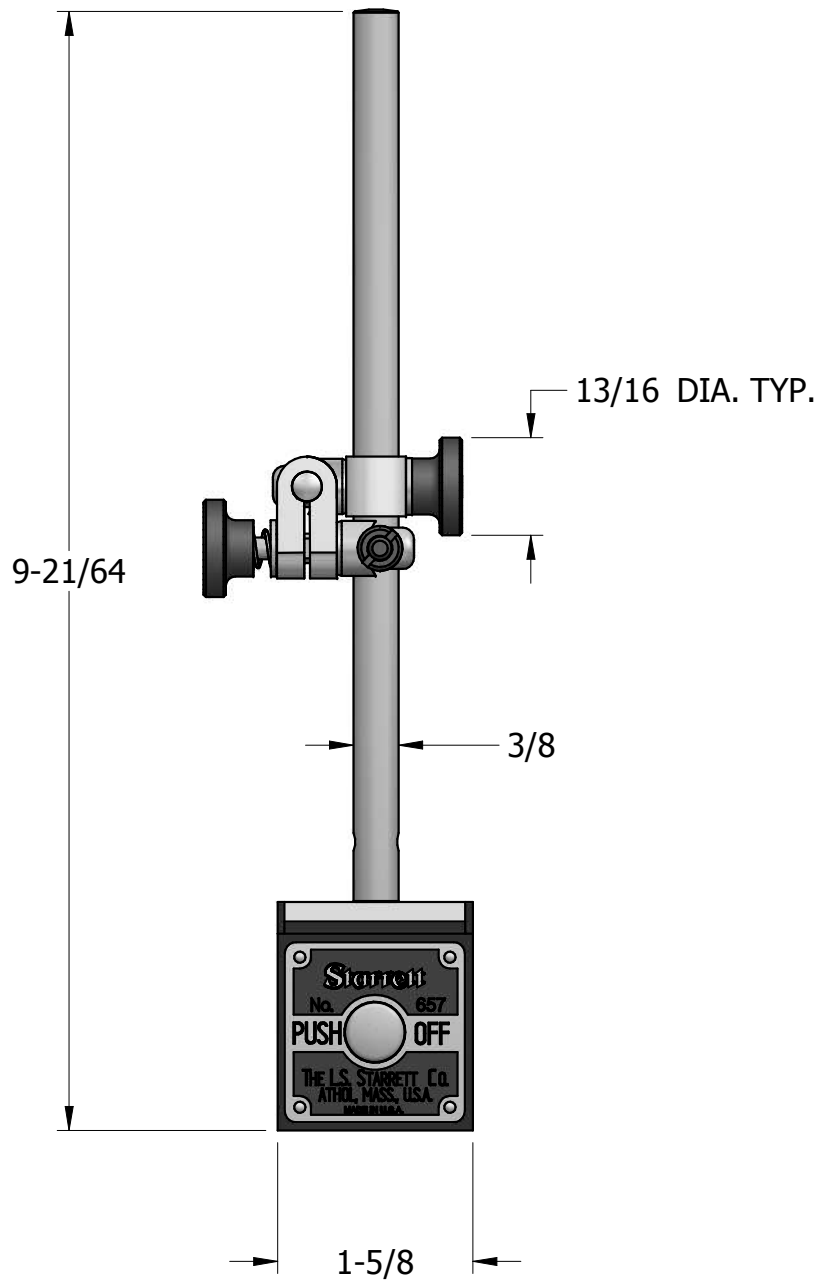
CUSTOMER DIMENSIONS

DO NOT
SEPARATE
PRINT FROM
WORK

LOT NO

OPER

TOOLS



REV	DESCRIPTION	DATE	BY
DR	RBW	CHK	DATE

MAGNETIC BASE ASSEMBLY

THE L.S. STARRETT CO.
ATHOL, MASS.

FRACTIONAL TOLERANCE +- 1/64 UNLESS OTHERWISE NOTED