

SH. 1
OF 1

CAT NO

C493B

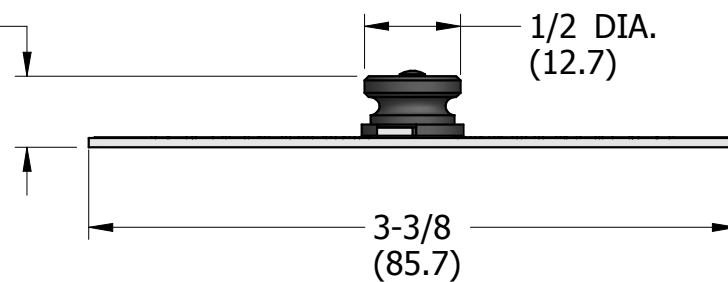
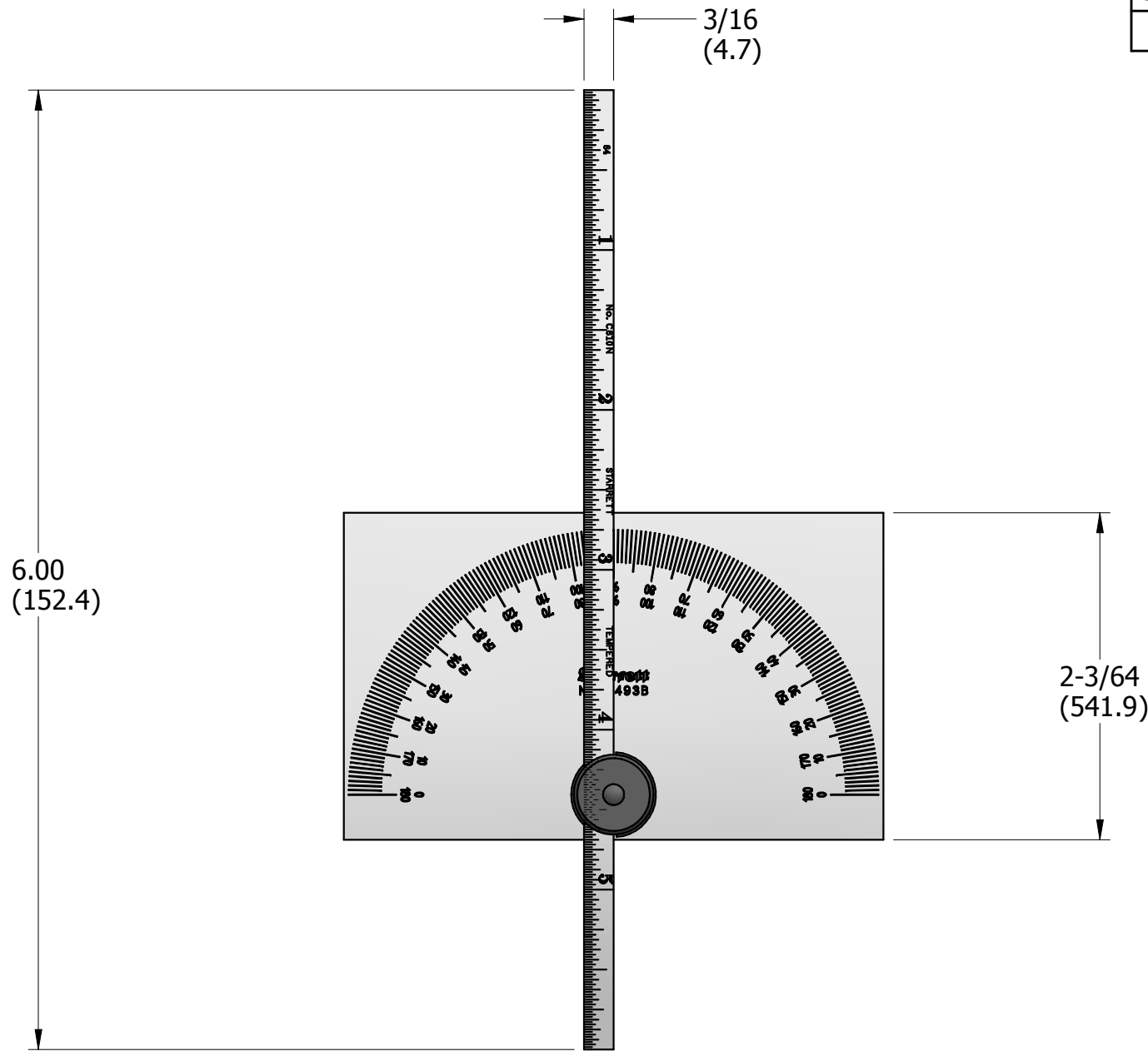
CUSTOMER DIMENSIONS

DO NOT
SEPARATE
PRINT FROM
WORK

LOT NO

OPER

TOOLS



FRACTIONAL TOLERANCE +- 1/64 UNLESS OTHERWISE NOTED

REV	DESCRIPTION	DATE	BY
-----	-------------	------	----

DR	ABC	CHK	DATE
----	-----	-----	------

**PROTRACTOR & DEPTH
GAGE
ASSEMBLY**

**THE L.S. STARRETT CO.
ATHOL, MASS.**