

SH. 1
OF 1

CAT NO

EC799B-8/200

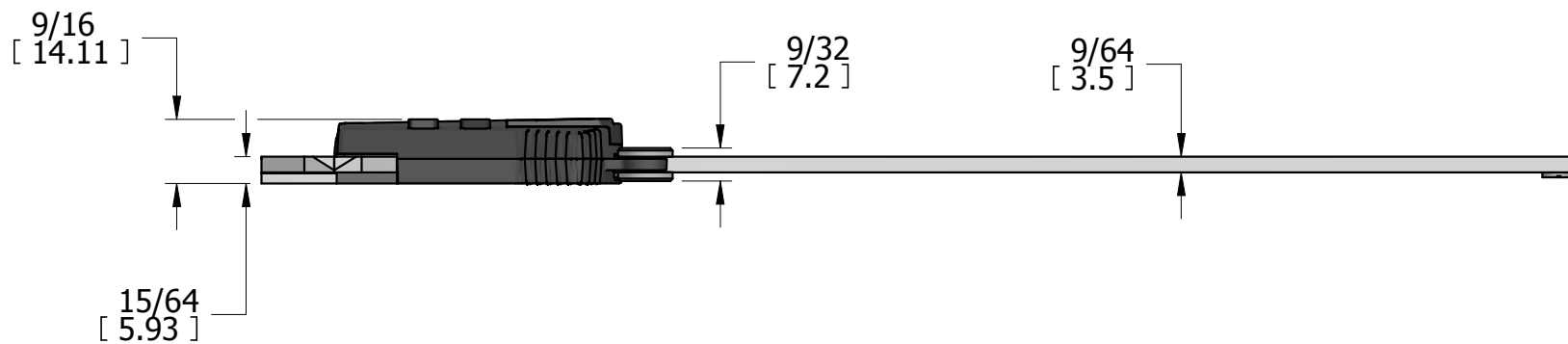
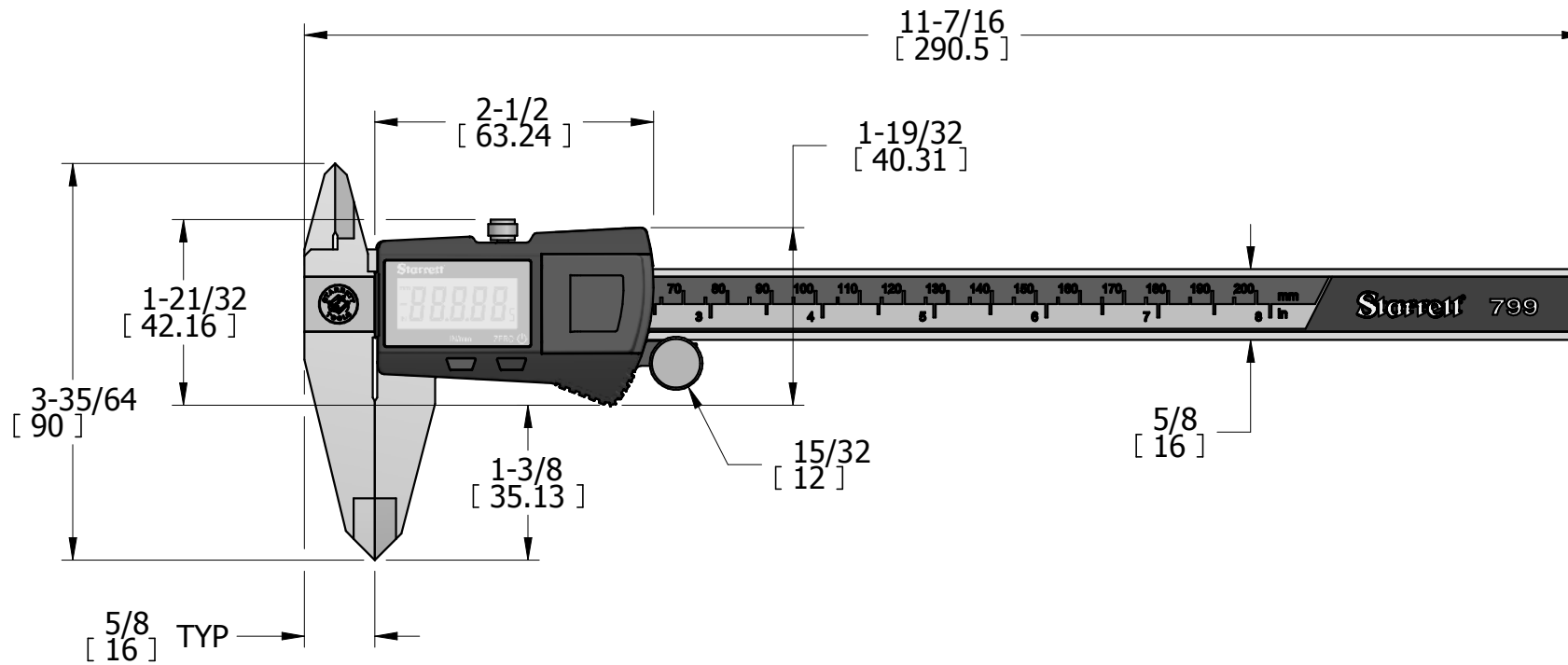
CUSTOMER DIMENSIONS

DO NOT
SEPARATE
PRINT FROM
WORK

LOT NO

OPER

TOOLS



| | | | |
|--|--|--|--|
| | | | |
| | | | |
| | | | |
| | | | |
| | | | |
| | | | |
| | | | |
| | | | |

| REV | DESCRIPTION | DATE | BY |
|-----|-------------|------|----|
|-----|-------------|------|----|

| | | | |
|----|-----|-----|--------------|
| DR | CAP | CHK | DATE 8/20/15 |
|----|-----|-----|--------------|

CALIPER, ELECTRONIC 8"
WITH OUTPUT

THE L.S. STARRETT CO.
ATHOL, MASS.

FRACTIONAL TOLERANCE $\pm 1/64$ UNLESS OTHERWISE NOTED